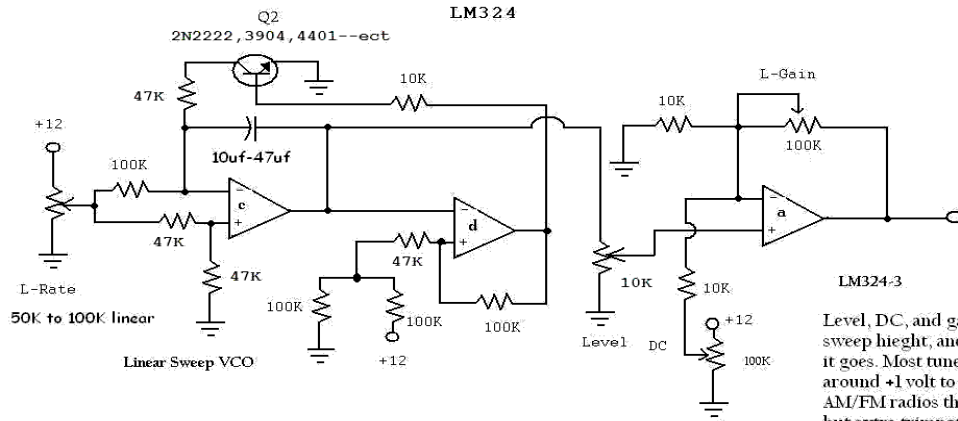
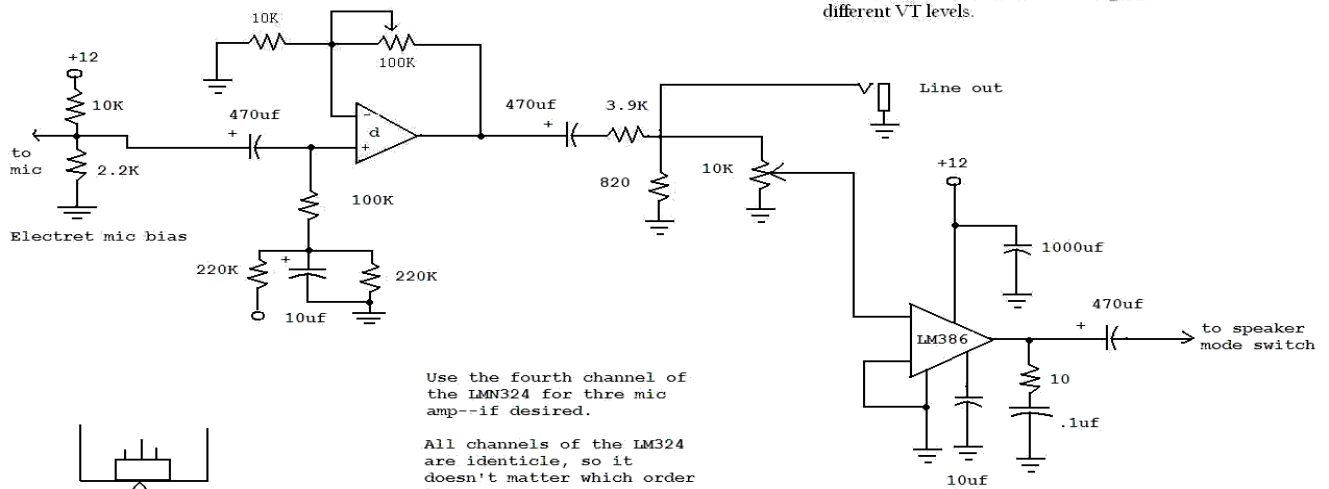


Linear sweep used in TRF boxes



Level, DC, and gain all interact to set the sweep height, and how close to zero volts it goes. Most tuners need VT to go from around +1 volt to 7.5 to 8 volts. Often in AM/FM radios the ranges are different, but extra trim pots can be added and switched in with the band switch to get the different VT levels.



Use the fourth channel of the LM324 for three mic amp--if desired.

All channels of the LM324 are identical, so it doesn't matter which order they are used.

